

pBone
music



Strategic partnership

Working in **harmony** with **hubs**

Providing **bespoke solutions** in procurement and inclusion.



Hello!

I'm Jonty, Director of Education Partnerships at pBone Music.

We are delighted to collaborate with Yamaha Music UK, alongside other great partners, to give music hubs access to an unmatched selection of progressive and inclusive instruments for the classroom. Yamaha's range of brass and wind instruments, guitars, keyboards, and more provide the ideal next step for children following their foundation experiences, with whole-class instruments such as pBuzz, pBone, and pTrumpet.

You can also be assured that if you need support with instrument repair, spare parts, resources, or CPD training, we're here to help.

Jonty



Progressive Instrument Pathway



What is a progressive instrument pathway?

This brass pathway is designed to support children in both their instrument progression and their musical learning. It gives students the right instruments, at the right time.

The pathway starts with **pBuzz**, an accessible foundation instrument for brass playing.



Why this pathway provides an accessible solution

Lightweight and robust instruments like **pCornet**, **pBone**, and **pTrumpet** allow music educators to deliver WCET on authentic brass instruments at a fraction of the cost.

This means more impact, more inclusivity, and more progression opportunities.

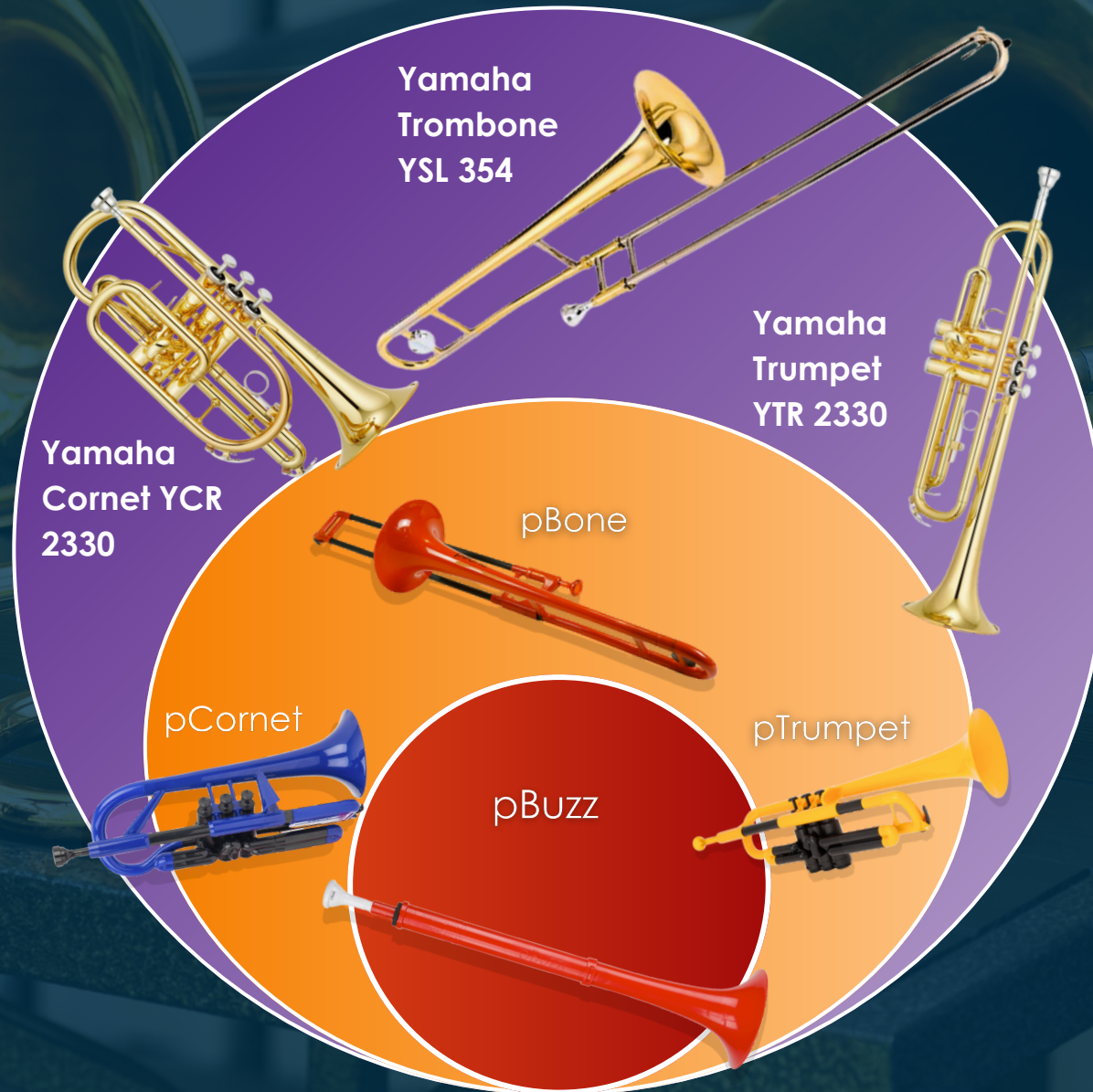
Premium progress with Yamaha instruments

Yamaha brass instruments are industry-leading, and renowned for their quality craftsmanship, attention to detail, and superior sound.

The student brass models are the ideal step for students to progress further in their learning. Built to last and backed by Yamaha's unbeatable aftersales service, these student instruments will empower the playing of pupils.

Progressive Instrument Pathway -

Brass



What is a progressive instrument pathway?

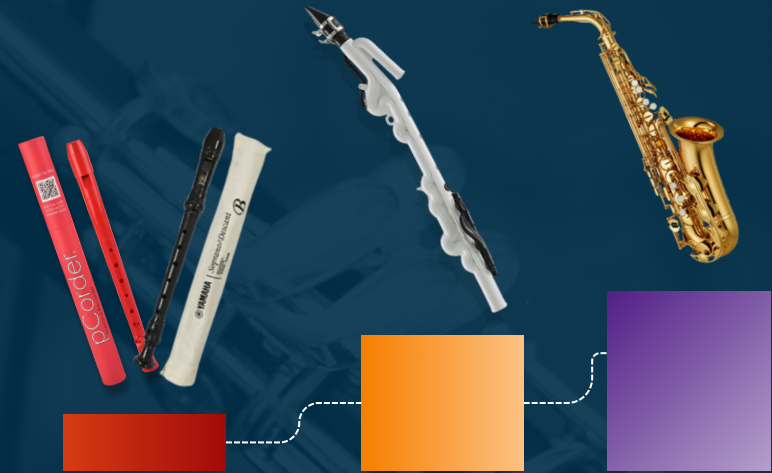
The wind progressive instrument pathway takes children from the recorder to premium student woodwind instruments. It gives learners the fundamental skills in the whole-class environment, before introducing innovative solutions like the **Venova** to ease the transition to the flute, clarinet, or saxophone.

For hubs with sustainable ambitions, the **pCorder** is carbon-neutral, made in the UK, and ships in a recyclable box for life.

Why this pathway provides an accessible solution

The **YRS-24BUK** is the bestselling, consistent, trusted record for classrooms around the world. This same quality, care, and craft is found in **Venova**: the innovative wind instrument that intuitively builds on the recorder skills.

These instruments are easy to service and clean: perfectly suited for the classroom.



Premium progress with Yamaha instruments

With Venova, children are better placed to step up from recorder to saxophone and other wind instruments. The simplified recorder-style fingering and lightweight design mean that players can start their musical journey sooner.

The **Yamaha** range of student clarinets, flutes, and saxophones is prized for its build quality, fantastic sound, and unbeatable aftersales service from Yamaha. These instruments will deliver year after year, pupil after pupil.

Progressive Instrument Pathway - Woodwind



What is a progressive instrument pathway?

The keyboard progressive pathway unlocks a complete journey for pupils; from whole-class lessons with the compact **Carry-on 49 Key** to the best student digital pianos from **Yamaha Music**.

Earlier experiences with keyboards in WCET mean more students continue learning, opening up future possibilities in composition and music technology.

Why this pathway provides an accessible solution

The folding design of the **Carry-on 49 Key** from **Blackstar** makes this a portable, lightweight, easy-to-store option for the classroom. This smaller footprint - along with the rechargeable battery - makes it perfectly suited for whole-class keyboard lessons.

The Carry-on gives children a grounding in basic keyboard skills and music theory in an affordable, accessible package.



Premium progress with Yamaha instruments

Yamaha keyboards and digital pianos are the premium choice for educators. Packed with quality sounds and features, models like the **NP-12** and **PSR-E373** are lightweight, robust keyboards built for continued use in the classroom.

With Yamaha's extensive range of class-leading digital pianos like the **YDP-S35**, students can expand their skillset with weighted, full-size, touch-sensitive keys.

Progressive Instrument Pathway - Keyboard



Yamaha
YDP-S35 Digital
Piano



Yamaha
P-45 Digital
Piano



Yamaha
NP-12
Portable
Keyboard



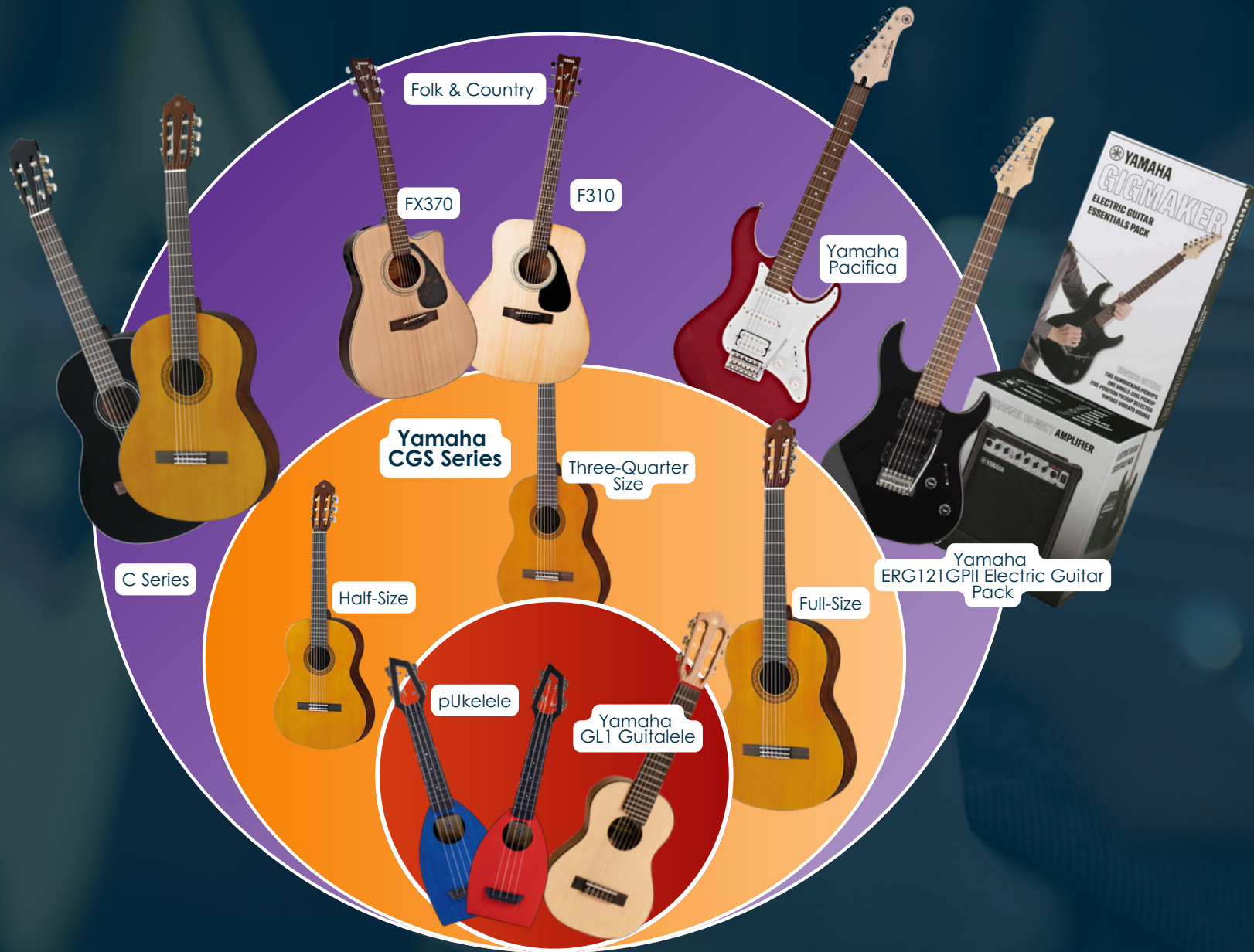
Yamaha
PSR-E373
Portable
Keyboard



Carry-on

49 Key

Progressive Instrument Pathway - Guitar



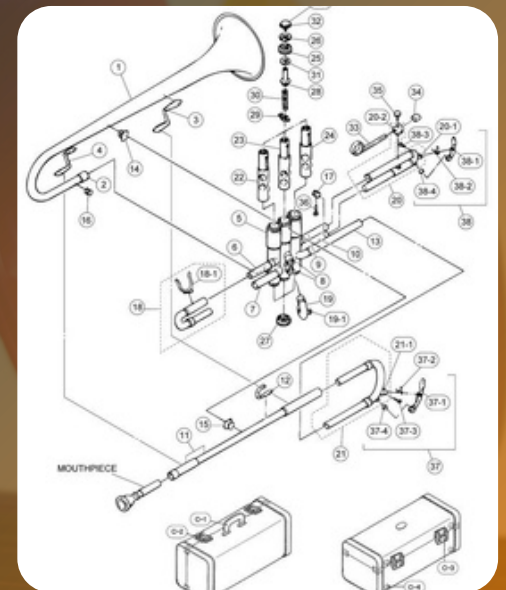
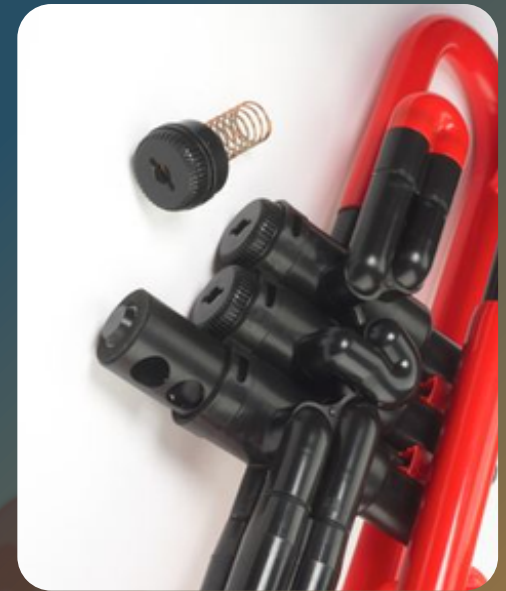
Progressive Instrument Pathway - Rock & Pop



SPARE PARTS AND MAINTENANCE

All of the instruments that feature in the Progressive Instrument Pathways from pBone Music and Yamaha are built to last. Spare parts are widely available, and all education purchases will be backed by our extended two-year warranty.

Our expert teams are also on hand to advise and support with instrument repair, servicing instruments, and even recycling old stock to save your hub time and space.




SUPPORT AND SERVICE

Our friendly team can help you with any issues that you encounter.

You can access helpful video guides and support articles on the pbonemusic.com website.

All instruments featured in this guide have a raft of support articles and resources to get the most from your lessons.

We can help with adaptive stands and bespoke accessories; one-to-one training and pilot schemes are also available.



How to Install the pBuzz Paper Insert Video

How to Install the pBuzz Paper Insert

Learn how to clean pBuzz in this easy-to-follow video demonstration.

Working With You Every Step of the Way

Strategic partnership with pBone Music is not just about the best musical instruments for the classroom.

We are here to provide support to your music hub across every area of your organisation.

If you have any questions about developing your own Progressive Pathways, want more information about accessible instruments, or you are looking for support in your music service, please get in touch.

Email jonty@pbonemusic.com
or call **+44 7799 599994**.





The Journey Starts Here